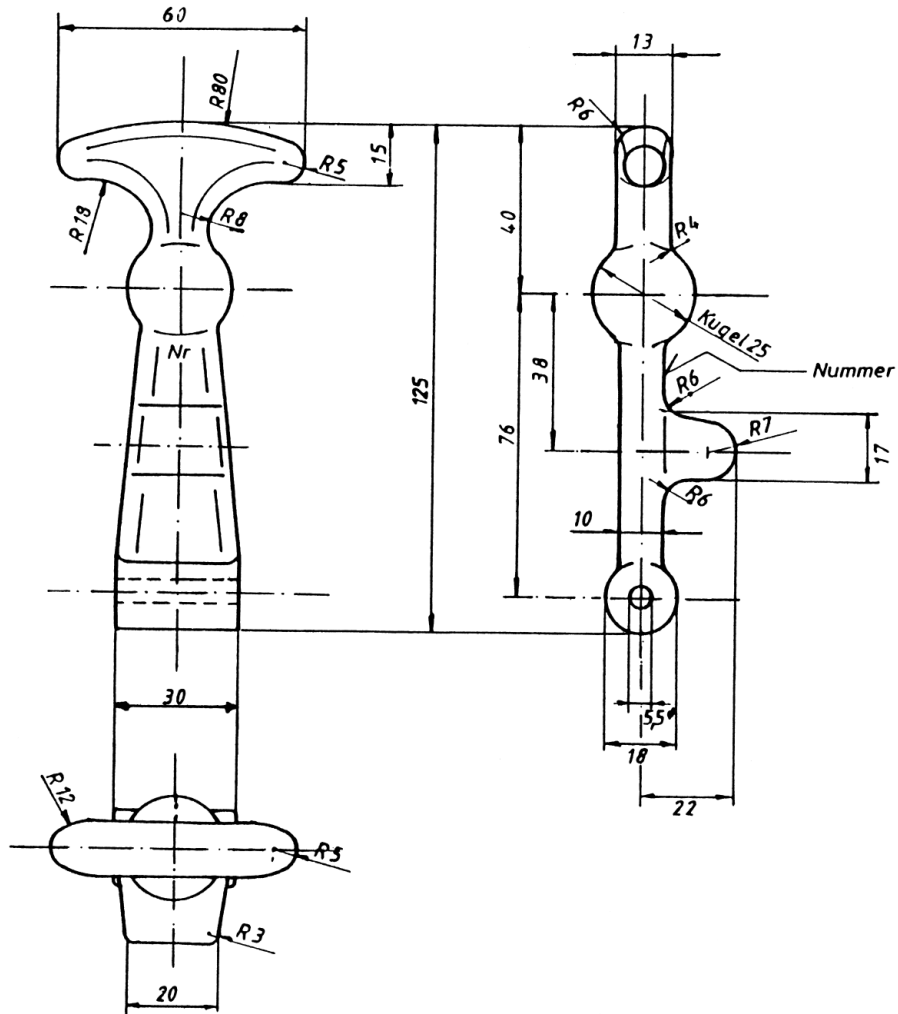




## Crested holders



Article-No. 170 9 532: 60 shore  
Article-No. 170 9 533: complete with fitting  
(pin, hook, bottom, washer, split pin)  
Article-No. 170 9 502: 70 shore  
Article-No. 170 9 504: complete with fitting

### Mounting-parts for crested holder

Artikel-Nr. 402 9 018 Pin  
Artikel-Nr. 402 9 019 Hook  
Artikel-Nr. 402 9 020 Bottom  
Artikel-Nr. 402 9 021 Washer  
Artikel-Nr. 402 9 022 Split pin (splint)