

Emergency stop

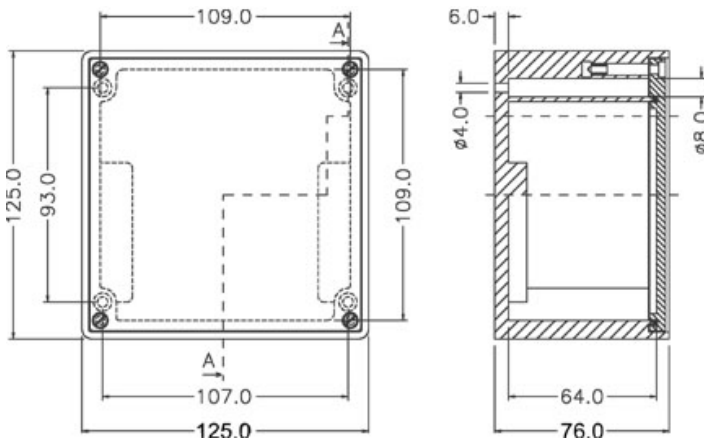
Emergency off switch integrated into an all rubber junction box model 1212

Emergency push-button- Baureihe 1212



Junction box	All rubber, model 1212
Cable entrance	1 cable gland M20
Construction	Emergency off stirring button (Emergency off button in combination with padlock possible) electric contact: 1 opener (break contact) international protection: IP 65 Gravure onto the box possible

Technical scheme of junction box without fixtures



Main switch - power switch

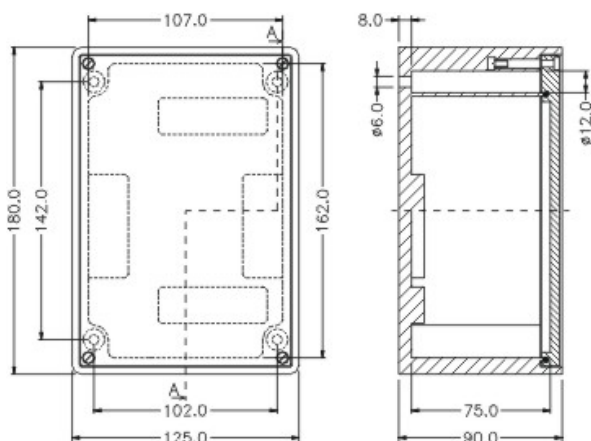
integrated into an all rubber junction box model 1812 or model 3900 with frame (thickness 103 mm)

Main switch - power switch - model 1812



Junction box	All rubber, product range 1812
Cable entrance	2 cable glands M20
Construction	Switch 3 pole grey, handle black (with max. 3 padlocks lockable) 20A (AC1) 3,7kW (AC3) 400V International protection: IP 65 Gravure onto the box possible

Technical scheme of junction box without fixtures

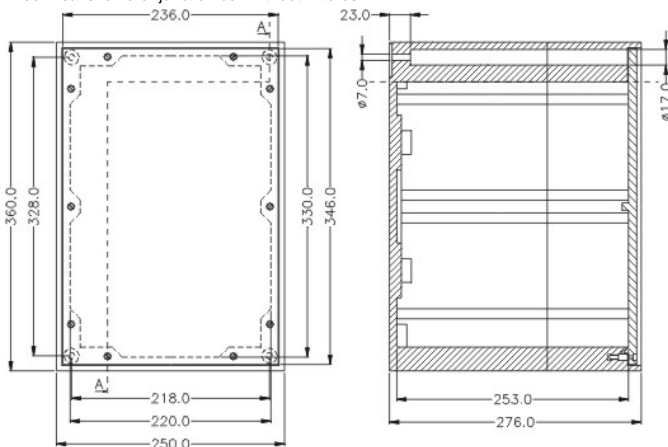


Main switch - power switch - model 3900 with frame



Junction box	All rubber product range 3900 with frame (thickness 103 mm)
Cable entrance	2 cable glands M40 1 cable glands M25
Construction	Switch 3 pole grey, handle black (with max. 3 padlocks lockable) 150A (AC1) 75kW (AC3) 400V outgoing cable is connected to PE in neutral position International protection: IP 65 Gravure onto the box possible

Technical scheme of junction box without fixtures



Main switch - maintenance switch

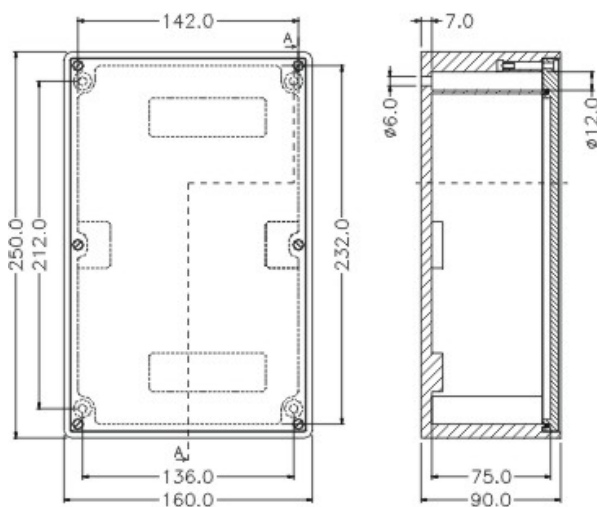
integrated into an all rubber junction box of model 2516 or model 7250

Main switch - maintenance switch - model 2516



Junction box	All rubber, model 2516
Cable entrance	2 cable glands M25
Construction	Switch 3 pole grey, handle black (with max. 3 padlocks lockable) 25A (AC1) 5,5kW (AC3) 400V International protection: IP 65 Gravure onto the box possible

Technical scheme of junction box without fixtures

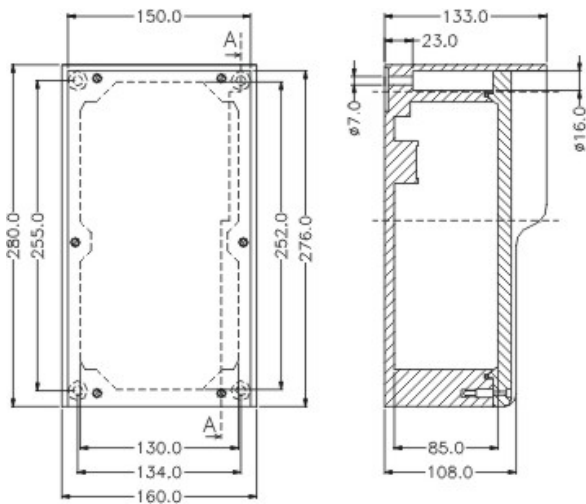


Main switch - maintenance switch - model 7250

Junction box	All rubber, model 7250
Cable entrance	2 cable glands M25 1 cable gland M20
Construction	Switch 3 pole grey, handle black (with max. 3 padlocks lockable) 32A (AC1) 7,5kW (AC3) 400V 2 control push buttons / switch able allocated control lights International Protection: IP 65 Gravure onto the box possible



Technical scheme of junction box without fixtures



Controlling junction box with main power switch - emergency switch

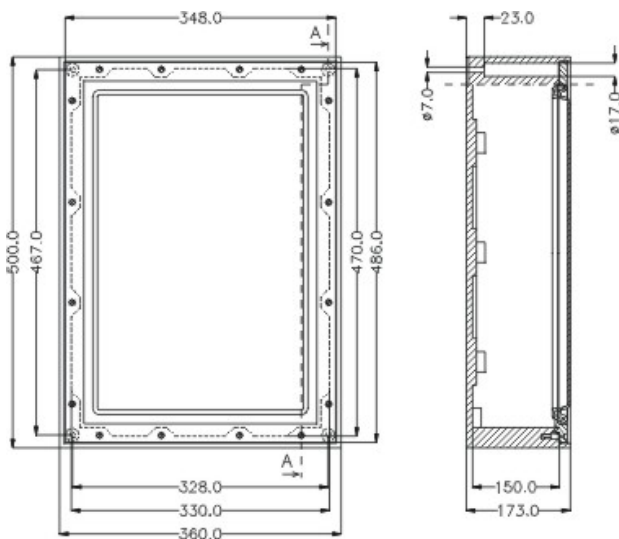
Resistant against mechanical influences, vibrations and environmental hazards. The installed door enable an easy access to the internal space

Control unit with built-in emergency main switch - model 7900 with door



Junction box	All rubber, model 7900 with door
Cable entrance	2 cable glands M40 2 cable glands M20
Construction	<p>Switch 3 pole yellow, handle red (with max. 3 padlocks lockable) 100A (AC1) 30kW (AC3) incl. 2 auxiliary contacts, closer leading</p> <p>1 push button: START 1 control button: STOP mounted on clamps, ready for connection</p> <p>The twist locked closing system and the main switch with door connectivity enable an easy and quick access to the inner space in case of maintenance or revisions an reviews.</p> <p>International protection: IP 54</p> <p>Gravure onto the box possible</p>

Technical scheme of junction box without fixtures



Control panel with built-in emergency main-switch - model 3800

Junction box	All rubber, model 3800
Cable entrance	2 cable glands M32 2 cable glands M20
Construction	<p>Switch 3-pole yellow, handle red (with max. 3 padlocks lockable) 32A (AC1) 7,5kW (AC3) 400 V incl. 2 auxiliary contacts, closer leading</p>



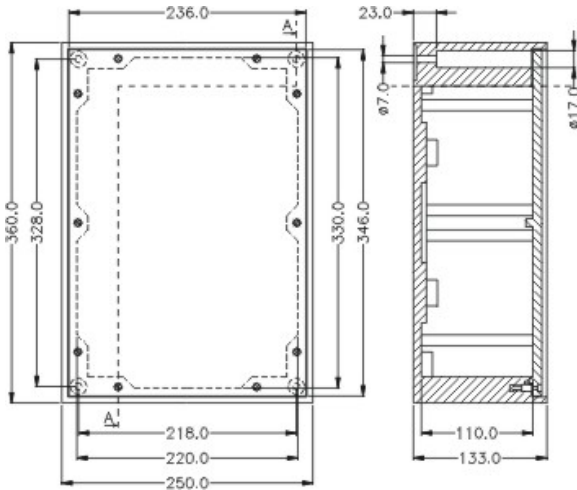
1 control button: START-RIGHT
 1 control button: START-LEFT
 1 control button: STOP
 mounted on clamps, ready for connection

controlling power circuit is insulated from power supply

International protection: IP 65

Gravure onto the box possible

Technical scheme of junction box without fixtures



Engine controlling unit with maintenance and reverse switch

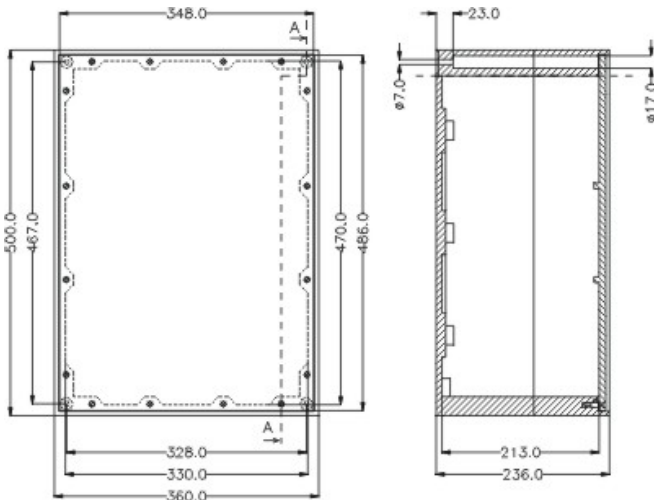
integrated into an all rubber junction box of product range 7800

Engine controlling unit - product range 7800



Junction box	All rubber, product range 7800
Cable entrance	2 cable glands M40 1 cable gland M20
Construction	Switch 3 pole grey, handle black (with max. 3 padlocks lockable) 800A (AC1) 30kW (AC3) 400V revers switch 3 pole with neutral positioning 115A (AC1) 45kW (AC3) 400V International protection: IP 65 Gravure onto the box possible

Technical scheme of junction box without fixtures



Main switch combination with integrated power sockets

integrated in an all rubber junction box of product range 7900

Main switch combination - product range 7900



Junction box	All rubber, product range 7900
Cable entrance	2 cable glands M32 3 cable glands M20 1 cable gland M16
Construction	1 switch 3 pole grey, handle black (with max. 3 padlocks lockable) 25A (AC1) 7,5kW (AC3) 400V 1 auxiliary current switch 2 pole grey, handle black (with max. 3 padlocks lockable) switching power: 20A outgoing cable is connected to PE in neutral position. International protection: IP 54 Gravure onto the box possible
Power sockets	1 Schuko-socket 16A 230V 1 CEE-socket 3x32A 400V with line safety switch and ground fault circuit interrupter

Technical scheme of junction box without fixtures

